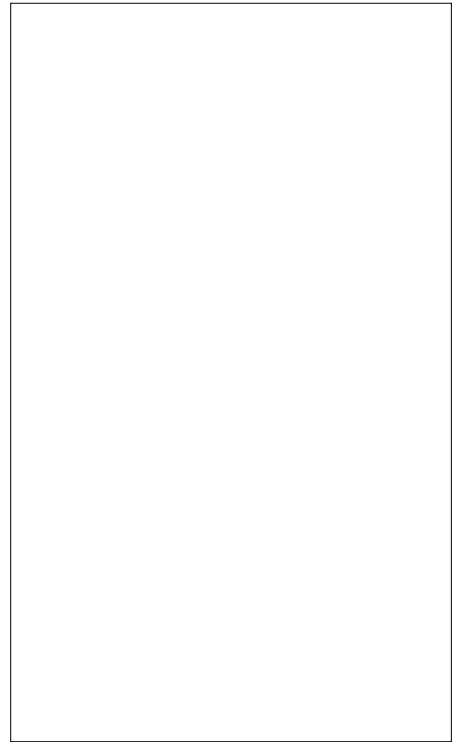




ACJT1210-104 0 Td [()8.3 04 0 Td [()8.3 ()8.3 ()]TJ 0.2235303 Tw4 0 0 14..9

AC switching. It can be used as an ON/OFF function in applications such as heating regulation, induction motor



Peak pulse voltage ($T_j=25$; non-repetitive, off-state; FIG.7)	V_{pp}	4.5	kV
--	----------	-----	----

ELECTRICAL CHARACTERISTICS ($T_j=25$ unless otherwise specified)

Symbol **Test Condition** **Quadrant** 4N ET Q 0 Tw 4.451.83d <010-3.(n2]TJ EMC /P.

FIG.1: Maximum power dissipation versus RMS on-state current

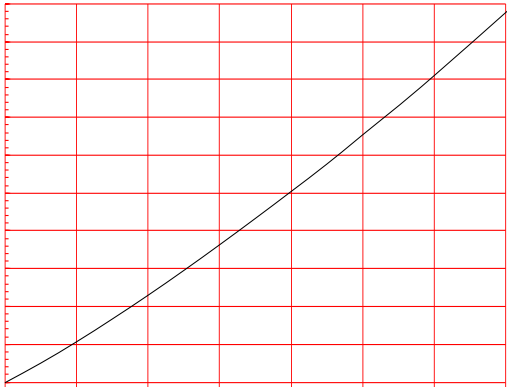
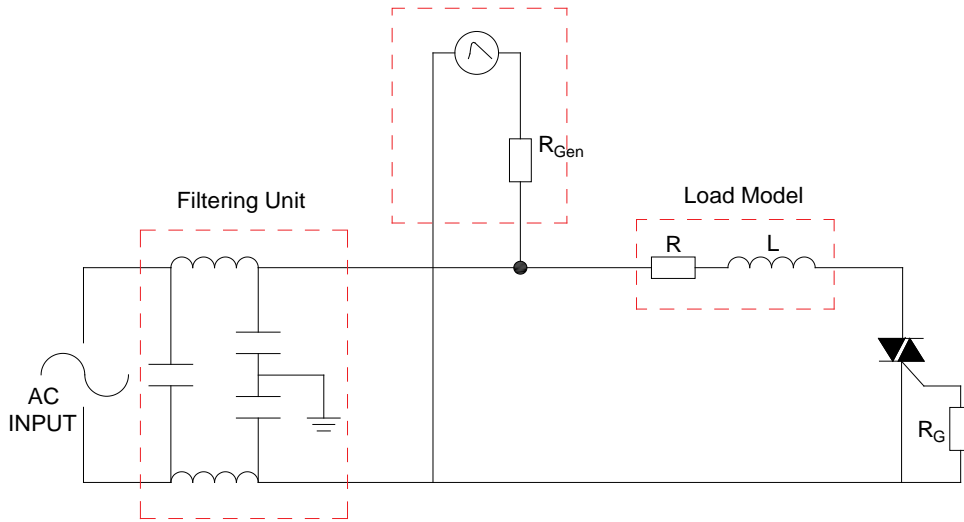


FIG.2: RMS on-state current versus case temperature

FIG.7 Test circuit for inductive and resistive loads to IEC-61000-4-5 standards

IEC61000-4-5 Standards
Surge Generator



ORDERING INFORMATION



